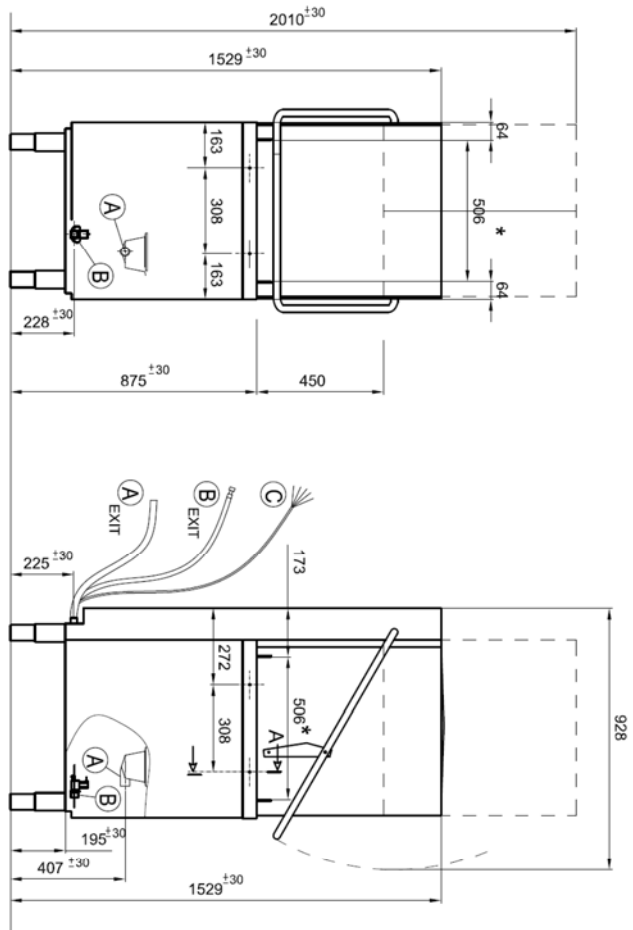
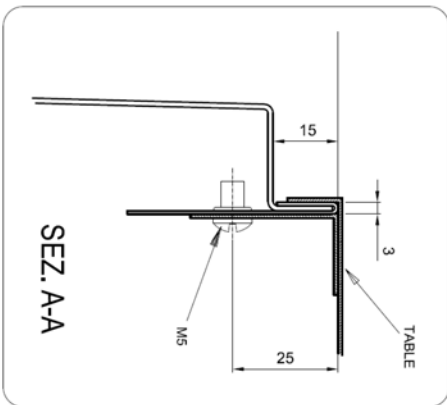
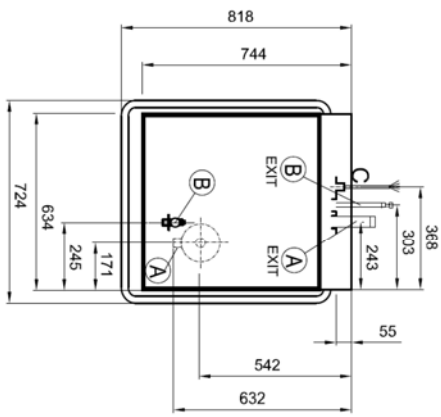


	Model	<b>LCP4550EDBD</b>	
	Code Production	GH50NTINFCDPS	
Interface :			
	Overall Dimension (Width-Depth-Height) *open	mm	724x818x1529(2010*)
	Packaging Dimension (WxDxH)	mm	760x840x1520
	Gross weight	Kg	120
	Net weight	Kg	110
	Volume	mc	0,97
	Rack size	mm	500x500
	Max door /hood opening	mm	450
	Max glasses/plate Height	mm	425/440
	General construction		single skin
	Door/hood Construction		double skin
	Tank construction		fully deep drawn
	Tank volume	liter	20
	Tank heating element	W	2500
	Tank surface strainers		yes -composite
	Wash pump type		double flow
	Wash pump power	W	650
	Wash temperature	°C	60
	Boiler type		pressurized
	Boiler volume	liter	6
	Back-flow system		valve
	Boiler heating element	W	8000
	Rinse booster pump		no
	Rinse booster pump power	W	-
	Rinse temperature	°C	80
	Rinse water consumption	Liter /rack	2,2
	Optimal external water pressure	bar	2 - 4
	Drain system		partial drain
	Drain pump		standard built in
	Rinse aid dispenser		yes
	Detergent dispenser		yes
	Wash cycle	sec	60 - 120 - 150 - continuous
	Water softner	Continuous type	no
	Electric Power	W	8700
	Electric Connection	V - ph - Hz	400V 3N 50Hz
	Fuse	A	16
	Plates racks	Nr1	780131
	Flat Rack	Nr1	780132
	Cutterly Rack	Nr1	780139
	Electric cable		yes
	Drain hose		yes
	Fill hose		yes

A		∅ 35 mm M	A	EXIT	∅ 35 mm M
B		G 3/4" M	B	EXIT	G 3/4" F
C		Power supply			



\* LUCE UTILE PER CESTELLO  
 USEFUL SPACE FOR BASKET  
 LUMIERE UTILE POUR PANIER  
 NUTZBARER OFFENUNG FÜR KORBE  
 ABERTURA UTIL PARA CESTO

Designed by:	M.P.UCCI	Date:	30/06/2014	Dimension:		Code:	GH50	Rev.:	00
<b>Installation layout</b>		<b>Hood type</b>							

